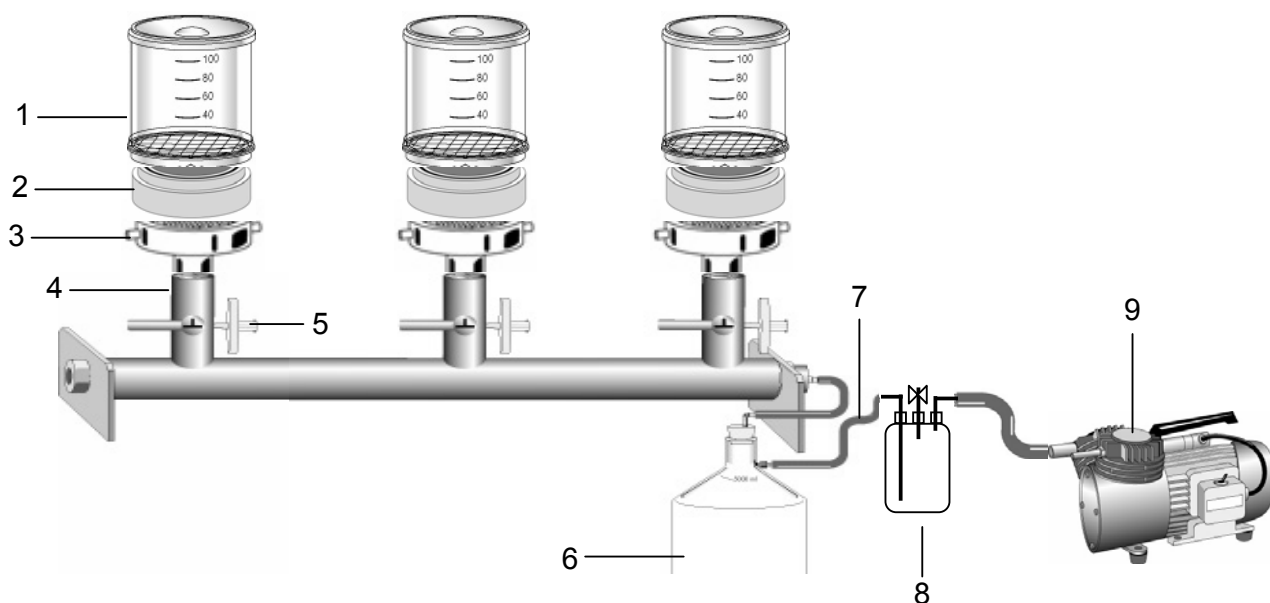


**Combisart® 3-branch Stainless Steel Manifold with  
Biosart 100 Monitors,  
Ready-to-Use, 100 ml**

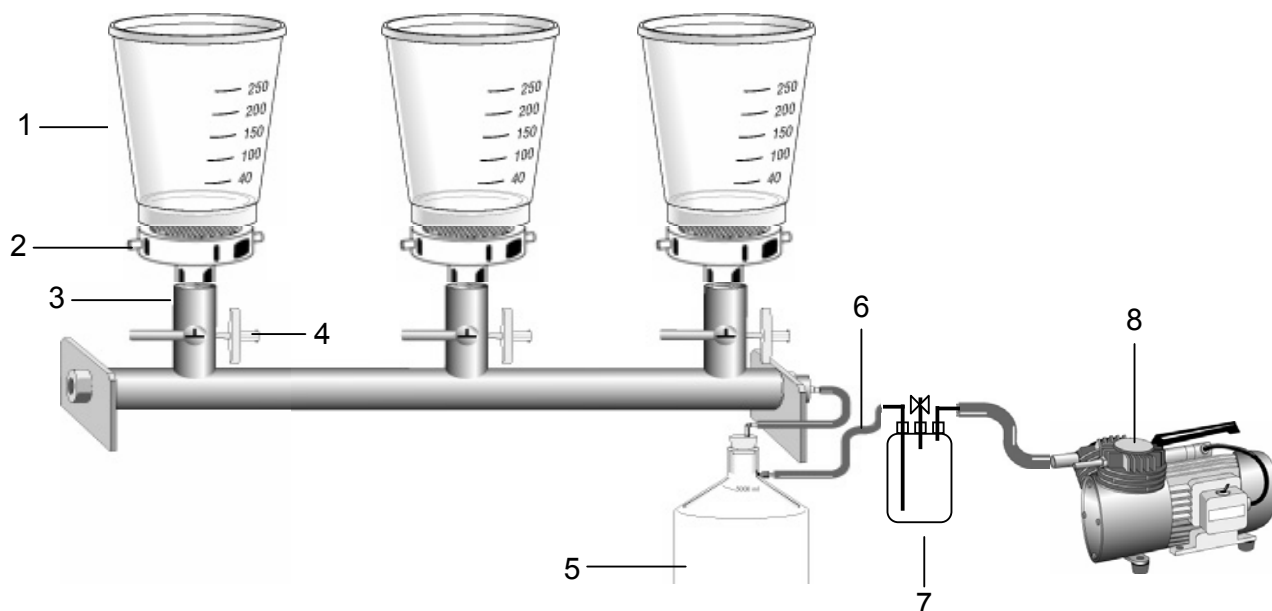


**Order Information**

Po s.	Description   Pack Size	Order Qty.	Order No.
1	Biosart®100 Monitors, 100 ml, 47 mm, individually, sterile packaged, pack of 48, 0.45 µm, cellulose nitrate white black	1	16401-47-06--ACK
2	Biosart 100 Adapter for 47 mm monitors, silicone, pack of 1	3	16414
3	Combisart® base support, stainless steel, with frit, pack of 1	3	16840
4	Combisart® 3- branch stainless steel manifold, pack of 1	1	16842
5	Minisart SRP25, sterile filter for venting, 0.2 µm, individually sterile packaged, could be autoclaved 5 times, pack of 50	1	17575-----ACK
	Plug Luer Lock, to close the Minisart inlet, if sterile venting is not required, pack of 12	1	17012-----E
6	Suction flask, 5 liters, acc. to DIN 12476, incl. stopper and glass tube, pack of 1	1	16672-1
7	Rubber vacuum hose, 1 m	3	16623
8	Wouff's bottle, 500 ml, with stop cock to control the vacuum, pack of 1	1	16610
9	Neoprene membrane pump with low noise level, oil- and maintenance-free; 13 mbar final vacuum, 26 l/min max., pack of 1 <b>220 V, 50 Hz</b>	1	16612
	Neoprene membrane pump with low noise level, oil- and maintenance-free; 13 mbar final vacuum, 26 l/min max., pack of 1 <b>110V, 60 Hz</b>	1	16615

\*) required length depends on distance between the manifold and the vacuum source

**Combisart® 3-branch Stainless Steel Manifold with  
Biosart 250 Funnels,  
Ready-to-Use, 250 ml**



**Order Information**

Pos.	Description   Pack Size	Order Qty.	Order No.
1	Biosart®250 Funnels, ready to use 250 ml funnels, individually, sterile packaged, pack of 50	1	16407--25----ACK
2	Combisart® base support, stainless steel, with frit, pack of 1	3	16840
3	Combisart® 3- branch stainless steel manifold, pack of 1	1	16842
4	Minisart SRP25, sterile filter for venting, 0.2 µm, individually sterile packaged, could be autoclaved 5 times, pack of 50	1	17575-----ACK
	Plug Luer Lock, to close the Minisart inlet, if sterile venting is not required, pack of 12	1	17012-----E
5	Suction flask, 5 liters, acc. to DIN 12476, incl. stopper and glass tube, pack of 1	1	16672-1
6	Rubber vacuum hose, 1 m	3	16623
7	Woulff's bottle, 500 ml, with stop cock to control the vacuum, pack of 1	1	16610
8	Neoprene membrane pump with low noise level, oil- and maintenance-free; 13 mbar final vacuum, 26 l/min max., pack of 1 <b>220 V, 50 Hz</b>	1	16612
	Neoprene membrane pump with low noise level, oil- and maintenance-free; 13 mbar final vacuum, 26 l/min max., pack of 1 <b>110V, 60 Hz</b>	1	16615

\*) required length depends on distance between the manifold and the vacuum source